



SINUS UPS

SIN UPS 600W FLX M

350-210

Publication date 2023-12-04



Table of Contents

1. About Sinus UPS from Milletechnik	4
1.1. About translation of this document	5
2. Component overview	5
3. Enclosures	5
3.1. Bracket	5
3.2. Mounting on a wall or in a 19 "rack	6
3.3. Mounting	7
4. Connection 230 V	7
4.1. In: Battery connection	7
4.2. Load disconnecter incoming mains (in: 230 V)	8
5. Out: 230 V	8
6. Description motherboard: MiniSinus	8
7. Alarm connection	10
7.1. Connect total alarm for self-test	11
7.2. Connect alarm for mains failure	11
8. Commissioning - how to start the unit	11
9. Features inverter	11
9.1. Batteries UPS	11
9.2. Battery charger UPS	12
9.3. Protection UPS standard 62040-1-1	12
9.4. Self-test system	12
10. Care instructions UPS	13
10.1. Battery replacement UPS	13
11. Dimensioning UPS	13
12. Front panel and status indicators	14
13. FAQ UPS	14
13.1. Control measures in case of alarm UPS - Battery charge, over or under voltage	14
13.2. Control measures in the event of an alarm UPS - Alarm for aged battery	14
13.3. Control measures in case of UPS alarm - UPS fault / inverter fault	15
13.4. Control measures in case of alarm UPS - Overvoltage, too high charging current	15
13.5. Test load in UPS (part of self-test system)	15
13.6. Are alarms given when batteries are recharged after a power outage?	15
13.7. Technical facts alarm: Incorrect charging voltage	15
13.8. Technical facts alarm: Overvoltage	15
13.9. Technology facts alarm: Aged battery	16
13.10. Technology facts alarm: Inverter test	16
14. SIN	16
14.1. SIN - UPS Product sheet / technical data	16
14.1.1. Technical specifications	16
14.1.2. SINUS UPS name, article number and e-number	16
14.1.3. Maximum rated power	16
14.1.4. ABOUT UPS	17
14.1.5. Fixed installation	17
14.2. Areas of use	17
14.3. Regulations and certifications	17
14.3.1. Requirements that the product meets	17
14.4. Circuit boards - Technical data	18
14.4.1. Technical data: CEO 3	18
230 V voltage in	18
230 V output voltage	18
Battery charge	18
Protection	18
Fuses Minisinus v8	19



Self-test	19
Alarm	19
14.5. Technical data enclosures	19
14.5.1. Enclosures - Technical Data FLX M	19
14.6. Batteries - recommended, not included	20
14.6.1. Batteries are not included they are sold separately	20
14.6.2. 20 Ah, 12 V AGM battery	20
14.7. Link to the latest information	20
14.8. Warranty, support, country of manufacture and country of origin	20
14.8.1. Warranty	20
14.8.2. Support	20
Spare parts	21
Support after the warranty period	21
Questions about product performance?	21
14.8.3. Contact us	21
14.8.4. Country of manufacture	21
14.8.5. Designed and produced by: Milletechnik AB	21
15. Address and contact details	21

1. ABOUT SINUS UPS FROM MILLETEKNIK

The SIN inverter is an Off-line UPS that steps in and replaces the supply from the mains in the event of a mains failure, until the mains returns (or the batteries are completely discharged). SIN inverters are designed with the latest switching technology and microprocessor monitoring, for: Highest efficiency and operational reliability, providing long life for both electronics and batteries. Well protected with isolation switch, battery circuit breaker, protection against overtemperature, overload, short circuit. Complete self-test including advanced battery test. The units are installation and service friendly: Compact volume. External wall brackets for installation without having to open the electrical cabinet for quick installation. Modular structure. All electronics on cassette for easy servicing or upgrading.

The UPS is charged with a built-in power supply and is powered further by batteries in the event of a power failure.



SAFETY - READ THIS FIRST

- The unit must be installed by a qualified person.
- It is the installer's responsibility that the system is suitable for intended use.
- Documents accompanying the system must be kept in its immediate vicinity.
- The system should not be connected to the mains during installation.
- All information is subject to change.



DANGER

Dangerously high voltage.

Wait one (1) minute after power has been disconnected from the unit.

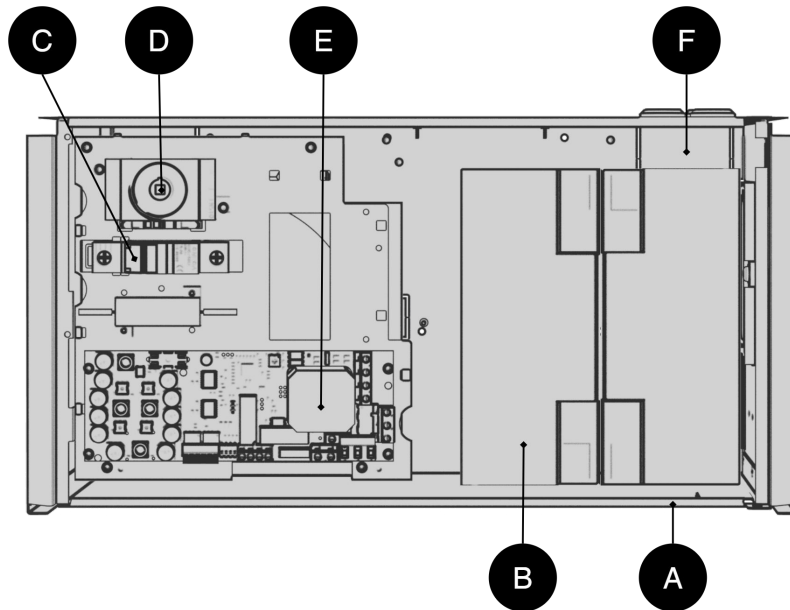




1.1. About translation of this document

User manual and other documents are in the original language in Swedish. Other languages are machine translated and not reviewed, errors may occur.

2. COMPONENT OVERVIEW



Batteries should be placed as in the picture.

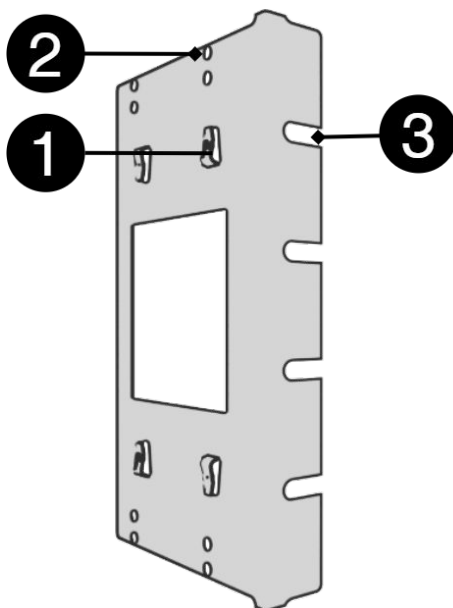
Table 1. Component overview

Number	Explanation
A	Cabinet in powder-coated sheet metal with bracket for reversible bracket for wall mounting or 19 "rack.
B	Batteries.
C	Automatic fuse (battery).
D	Main switch.
E	Motherboard.
F	Cable entries.

3. ENCLOSURES

3.1. Bracket

Brackets are used so that the unit can be mounted on a wall or in a 19 "rack.

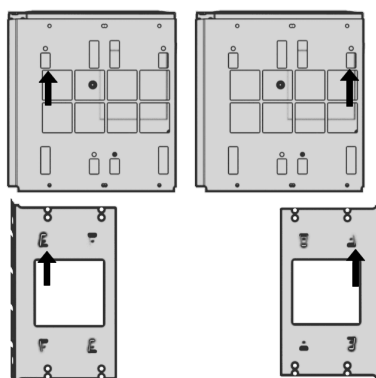


Nr	Explanation
1	Clip in bracket that secures the bracket to the housing.
2	Holes for screws - can be used to secure the bracket in the housing.
3	The brackets is screwed to a wall or 19 "rack.

3.2. Mounting on a wall or in a 19 "rack

The unit can be mounted in a 19 "rack or on a wall. The included brackets can be attached in two ways: When mounting on a wall, the brackets must sit backwards, against the wall. When mounting in a 19 "rack, the console must be at the front edge of the unit.

Figure 1. FLX M - mount brackets



Left bracket facing the front for mounting in a 19 "rack.

Right bracket facing the back for wall mounting.



IMPORTANT

Leave 100 mm free around the air vents.





3.3. Mounting

Use the appropriate screw for mounting on a wall or in a 19" rack. Screws for mounting on a wall or in a rack are not included.

4. CONNECTION 230 V

4.1. In: Battery connection

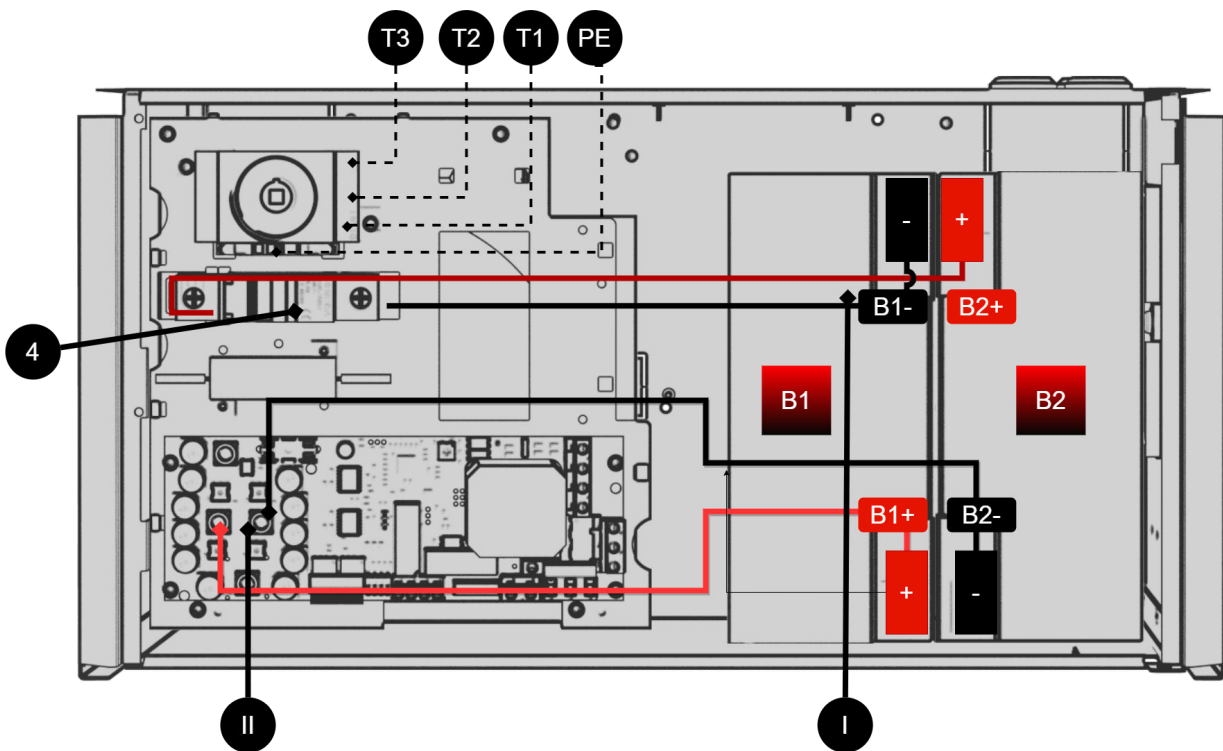


Table 2. Overview of incoming mains and battery connection

No / letter	Explanation
I, III	Battery wiring for automatic fuse.
II	Battery wiring from motherboard.
4	Battery fuse (automatic fuse)
T3	Internal emergency stop.
T2	Phase, incoming mains.
T1	Zero mains, incoming.
PE	Incoming protective earth.

Connect as the picture shows; - possibly incoming controlled - incoming mains phase to terminal T2 on isolation switch, - incoming zero to terminal T1. - protective ground to terminal "PE".



Table 3. Battery number

B1, B2	Explanation
B1+	+ from circuit board to battery
B1-	- from fuse to battery.
B2+	+ from fuse to battery.
B2-	- from circuit board to battery.

4.2. Load disconnecter incoming mains (in: 230 V)

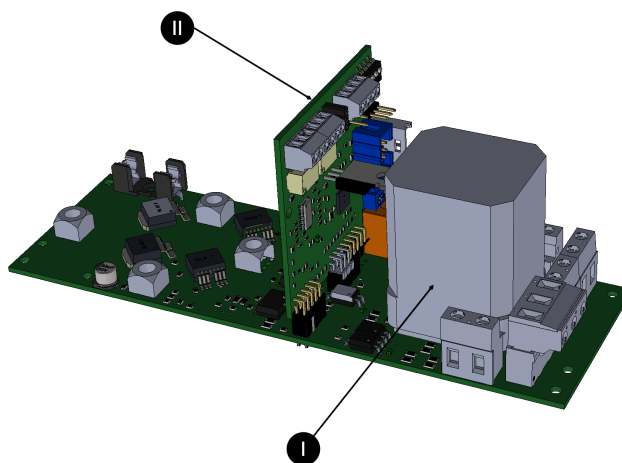
For maximum safety, always disconnect from the mains before installation and service. Connect a load disconnecter (circuit breaker) to the incoming cable from the mains. Place it easily accessible and label it clearly. With a load disconnecter installed, incoming voltage can be easily interrupted during service and function tests.

5. OUT: 230 V

Output phase/load to PICTO marked 9 on circuit board overview and 4 on circuit board. Output phase/load to (EMERGENCY LIGHT) marked 8 on circuit board overview and 5 on circuit board, (only energized in case of mains failure). Output zero, to ZERO, labeled 7 on circuit board overview and 6 on circuit board. Protective earth, PE, marked 6 on circuit board overview and 7 on circuit board.

6. DESCRIPTION MOTHERBOARD: MINISINUS

Figure 2. Minisinus consists of two cards.



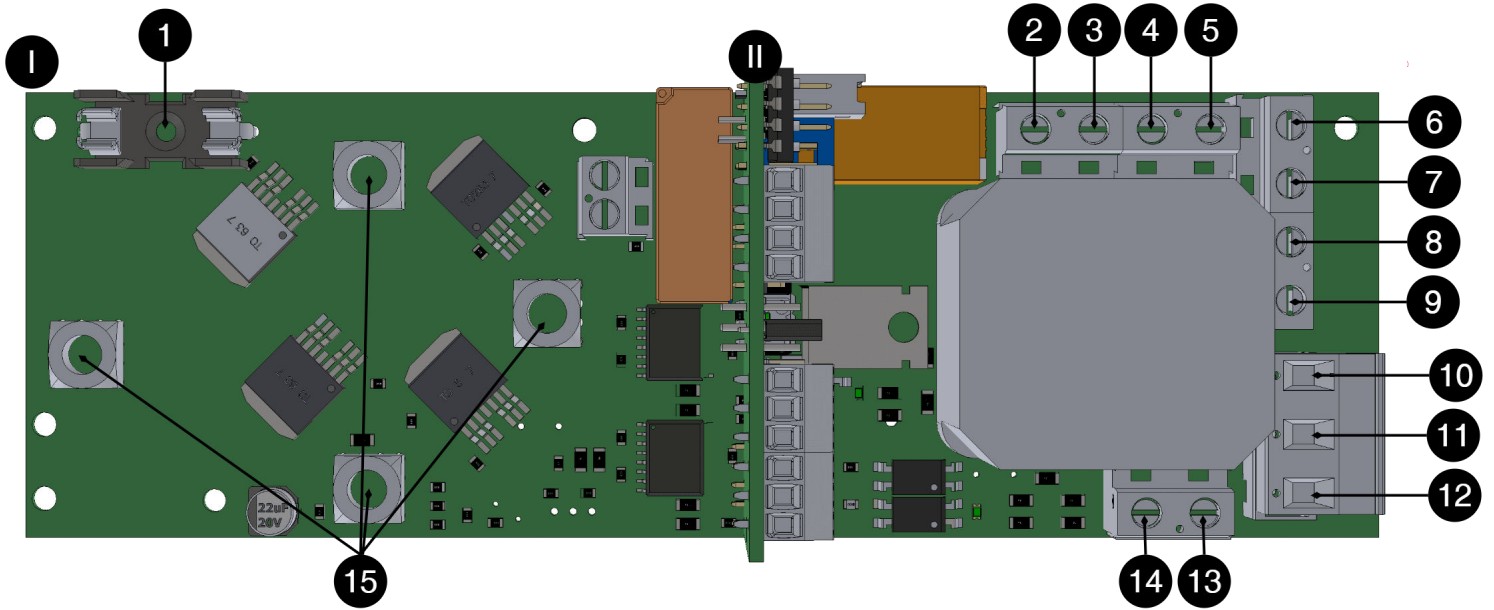
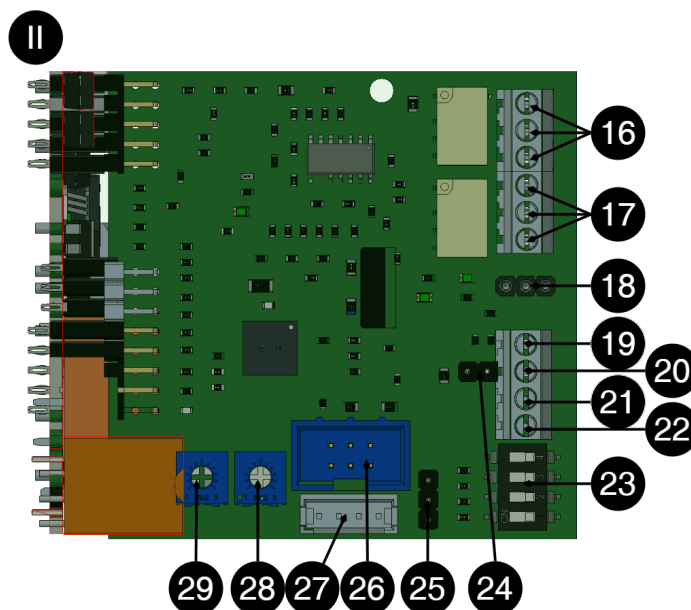


Table 4. Circuit board overview, explanation

No	On circuit board	Explanation
1	F1	Fuse from power supply, 24 VDC for battery charging.
2	N Test load	Disconnects from the factory.
3	L Test load	
4	N UPS	
5	L UPS	
6	PE	Protective ground, Output
7	Zero / Neutral	Zero, Output
8	(LED 0/230 V)	(Outgoing load, 230 V. Connection to emergency light/indicator light. Only voltage in case of mains failure)
9	PICTO 230 V / 230 V	Output load, 230 V. Connection to pictogram. Always phase voltage
10	LINE	Mains voltage connection: 230 V In (PHAS in)
11	NEUTRAL	Connection mains voltage: 230 V Zero
12	PE	Connection mains voltage: 230 V Protective earth, PE
13	(PHASE 230 V)	Disconnects from the factory.
14	(ZERO 230 V)	
15	J5, J11, J31, J33	





No	On circuit board	Explanation
16	10	Self-diagnosis, NC
	9	Self-diagnosis, COM
	8	Self-diagnosis, NO
17	7	Mains failure alarm, NC
	6	Power failure alarm, COM
	5	Mains failure alarm, NO
18	Summer	Connection to buzzer
19	4	+5V
20	3	B+ (RS-485, upcoming feature)
21	2	A- (RS-485, upcoming function)
22	1	GND
23	S1	Dip switch - must not be changed
24	J16	Not used, factory connected
25	J8	
26	J4	
27	J24	
28	P3	
29	P4	Not available

7. ALARM CONNECTION

Self-test and alarm for mains failure

P1:1-3, incorrect charging voltage (over/undervoltage), aged battery - when the battery should be replaced, or non-functioning inverter to circuit board terminal P1:1-3. Alarm - contact NO and CO. Mains failure: Connect the mains failure alarm P1:1-3, "MAINS ALARM", an alarm is given immediately in the event of a mains failure.





7.1. Connect total alarm for self-test

Incorrect charging voltage (over/undervoltage), aged battery - when the battery should be replaced, or non-functioning inverter to 16. Alarm - contact NO and CO. Normal (no alarm)

7.2. Connect alarm for mains failure

Alarm - contact NO and CO. Connection takes place on a horizontal circuit board, [17 \[8\]](#).

8. COMMISSIONING - HOW TO START THE UNIT

After connection, start-up must take place in the following steps:

Table 5. Commissioning - the order

Step	Explanation
1	Turn the isolation switch to "0" and open the cabinet.
2	Connect the input and output cable, alarm and switch on the circuit breaker for the battery pack.
3	Close the electrical cabinet and turn the isolation switch to "1".
4	Connect to the mains.
5	The system starts up automatically. LED indication on the cabinet door flashes until it lights up steady GREEN. The UPS is commissioned and activated. The load is fed directly from the mains in normal mode and from the batteries via the inverter in battery operation. Switching time is typically 20 ms.
6	Temporarily disconnect mains voltage via mains switch or central fuse to test that the UPS is working (connected load continues to be powered in battery mode).
7	Reconnect to mains voltage.

9. FEATURES INVERTER

The SINUS UPS inverter is an Off-line UPS that steps in and replaces the supply from the mains in the event of a mains failure, until the mains is restored (or the batteries are completely discharged). The switching time is about 20ms. The inverter replaces the grid's sinusoidal voltage with a current-limited sinusoidal voltage.

The inverter is an Off-line UPS that steps in and replaces the supply from the mains in the event of a mains failure, until the mains returns (or the batteries are completely discharged). The switching time is typically 20 ms. The inverter replaces the grid's sinusoidal voltage with a current-limited sinusoidal voltage.



NOTE

In the event of a mains failure, the inverter starts up and draws approximately 10 W of energy even when unloaded (idle power).

9.1. Batteries UPS

The batteries are valve-regulated maintenance-free 10-12 year batteries especially suitable for UPS operation with high short-term power consumption. Automatic fuse for battery protects against possible



internal short circuit. The batteries are protected from overload by the inverter through electronic current limitation. The batteries are protected against harmful deep discharge so that all current consumption ceases when the battery voltage falls below a critical value (19 V). Only returning mains and thereby power from battery chargers overrides deep discharge protection. The batteries are also protected against "boiling-gassing" due to overcharging, by being disconnected from the charging current.

9.2. Battery charger UPS

The batteries are charged to 27.3V final voltage under current limitation to achieve optimal service life at room temperature +20°C—+25°C. The charger is overcurrent and short circuit protected and also protects the batteries from overcharging/high charging current.

9.3. Protection UPS standard 62040-1-1

Electronic current limitation and overtemperature protection as well as automatic shutdown in case of heavy overload or short circuit after 3-5 seconds according to UPS STANDARD EN62040-1-1. The inverter is thus short-circuit protected.



WARNING

However, mains voltage must not be connected to the output of the inverter, [13-14 on circuit board overview \[8\]](#),

9.4. Self-test system

As standard, the unit includes a self-test system (STS) that continuously monitors all functions in the system.

The self-test has three different parts:

1. Battery charging. Alarm is given in case of over or maintenance voltage charging. Undervoltage is only indicated if the charger for charged batteries does not provide the correct charging voltage. No false alarms when the batteries are recharged after a power outage, as the battery voltage is naturally low. Alarms are indicated by a yellow LED on the front panel at the same time as a self-diagnosis alarm is set. In case of overvoltage, the charge is disconnected from the batteries to prevent them from starting to "boil-gas". In case of overvoltage, the front panel LED shows red at the same time as a self-diagnosis alarm is set.
2. Alarm for aged battery. The capacity or aging of the batteries is tested regularly (every week). If tests show that the current battery capacity has fallen below 80% of the original rated capacity, an alarm is given to warn that the batteries need to be replaced. The reliability of the reserve operation is hereby tested in accordance with the established dimensioning requirements for the desired reserve operation time in battery operation. Batteries that have lost 20% of their capacity or more accelerate aging. They should therefore be replaced. This limit is defined as the life of the battery. In the event of an alarm for an aged battery, yellow flashes are given on the LED on the front of the cabinet at the same time as a self-diagnosis alarm is set.
3. The inverter test runs over an internal test load corresponding to the rated power, at the same time as a battery aging test. (Every week). This ensures that the output voltage is sufficient in UPS operation under load. In the event of an inverter fault, red flashes are given on the LED on the front





panel (possibly additional flashes in case of several alarms) at the same time as a self-diagnosis alarm is set.

10. CARE INSTRUCTIONS UPS

The unit is maintenance-free when installed in a room temperature indoor environment +15°C—+25°C. However, the batteries should be changed after 10-12 years to maintain high guaranteed safety. In the extended temperature range +5°C—+15°C/+25°C—+30°C, the batteries will age twice as fast. Further colder or warmer ambient temperature means that reliability is at risk.

10.1. Battery replacement UPS

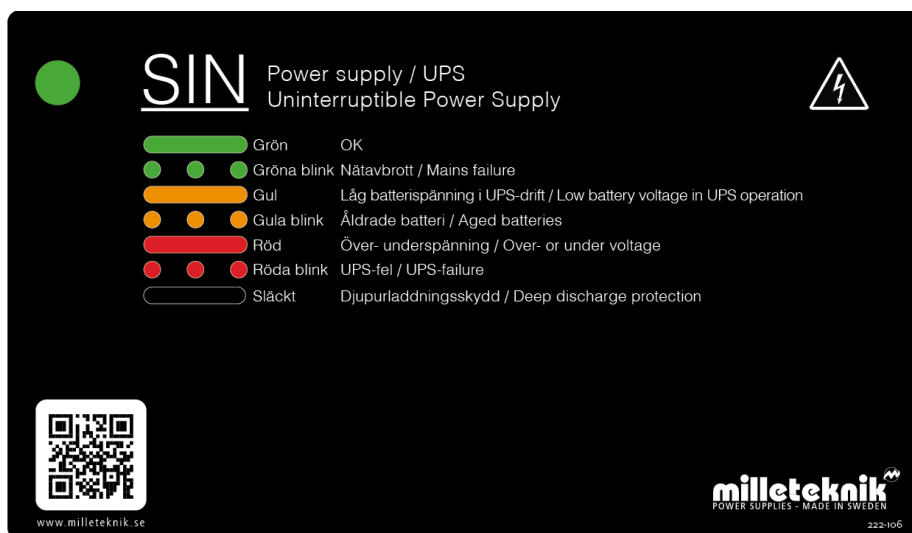
Step	Explanation
1	Turn the isolation switch to "0" and open the cabinet. Input phase voltage is interrupted. The inverter is put into active stop mode (the drive voltage to the electronics is disconnected).
2	For safety's sake, also disconnect the mains voltage.
3	Disconnect the batteries by setting the battery automatic fuse to "0 – OFF".
4	Disconnect battery cables and replace batteries. Be careful not to short-circuit the batteries! Remove the upper battery and then bring the lower battery up past the battery's automatic fuse. Note and be careful with the orientation of the batteries regarding battery poles +/- and battery cable assembly!
5	Connect the battery cables to the new batteries with the correct polarity. Be careful not to short-circuit batteries!
6	Set battery circuit breakers to "1 – ON".
7	Close the electrical cabinet and turn the isolation switch to "1".
8	Reconnect the mains if it has been disconnected.
9	The SelfTestSystem starts up automatically. LED indication on the cabinet door flashes until it lights up steady GREEN. The UPS is commissioned and activated. The load is fed directly from the mains in normal mode and from the batteries via the inverter in battery operation. Switching time is 20 ms.
10	Temporarily disconnect mains voltage to test that the UPS is working (connected load continues to be powered in battery mode).
11	Reconnect to mains voltage.

11. DIMENSIONING UPS

Dimension the connected load so that it is, in total, as large as the inverter's maximum rated power (W), preferably less to partly obtain safety margins, and partly to compensate for losses in connections/cabling and the load which means greater actual power consumption from the inverter than the specified rated power of the load. Take temporary starting power into account, so that it does not exceed the specified maximum - short-term - starting power (VA) of the inverter. Back-up load operation should take place within one hour of the grid failure occurring, as the inverter consumes power at idle, which gradually drains the batteries.



12. FRONT PANEL AND STATUS INDICATORS



Panel for UPS with Minisinus in FLX M and FLX L housing

Indicator diode	Text	Explanation
Green, solid glow	Okay	The device is working normally
Green blinks	Power outage	230 V mains failure
Yellow, solid glow	Low battery voltage in UPS operation	
Yellow flashes	Aged battery	Battery needs to be replaced
Red, solid light	Over-undervoltage	Voltage fault
Red flashes	UPS ERROR	Over temperature, over current or feedback error.
Black / off	Deep discharge protection	Deep discharge protection has kicked in

13. FAQ UPS

13.1. Control measures in case of alarm UPS - Battery charge, over or under voltage

Over or under voltage is indicated if the device, when the batteries are charged, does not provide the correct charging voltage. Alarms are indicated by flashing on the front panel at the same time as a total alarm is set.

Action in case of alarm: Check charging voltage. Measure voltage to 27.3 V. At two-pole power supply terminal, (red plus, black minus cable).

13.2. Control measures in the event of an alarm UPS - Alarm for aged battery

The batteries' capacity and aging are tested weekly. If the test shows that the battery capacity has dropped below 60% - 80% of the battery's original capacity, an alarm is given for an aged battery



Action in case of alarm: Replace batteries.

13.3. Control measures in case of UPS alarm - UPS fault / inverter fault

In the event of an inverter fault, the LED on the front panel flashes at the same time as a total alarm is set.

Action in case of alarm:

- Check fuses in the unit.
- Check with a multimeter that the device provides charging output, (230 V) in mains operation and in battery operation.
- Batteries have sufficient voltage, (27 V). Measure the battery terminals.

13.4. Control measures in case of alarm UPS - Overvoltage, too high charging current

If the charging voltage in normal operation exceeds 27.9 V, the charging is disconnected.

Check with a multimeter that the device's charge does not exceed 27.9 V.

Contact support for further assistance with adjusting the voltage of the power supply unit.

13.5. Test load in UPS (part of self-test system)

The unit is tested weekly against an internal test load. This is to check that the output voltage is sufficient for UPS operation and thus that the batteries are not aged.

13.6. Are alarms given when batteries are recharged after a power outage?

No alarms are given when the batteries are charged after a mains failure.

13.7. Technical facts alarm: Incorrect charging voltage

Alarm for incorrect charging voltage is given if the charger's voltage falls below 26.5 V.

Undervoltage may be natural after prolonged discharge, UPS operation. To ensure that the power supply does not break during recharging, a test is made every 45 minutes that the charging voltage is correct.

Alarms for incorrect charging voltage/broken power supply are displayed on the panel and via potential-free relay switching.

13.8. Technical facts alarm: Overvoltage

If the charging voltage in normal operation exceeds 27.9 V, the charging is disconnected. An alarm is also given on potential-free relay switching.





13.9. Technology facts alarm: Aged battery

Every week, batteries are tested with a high, predetermined and short-term load current across internal load resistors that correspond to the batteries' rated power. Current battery capacity is measured. The microprocessor takes a "fingerprint" of the current state of the battery in the load test. The value taken is then compared with the programmed battery value. In tests that give an indication of between 20% - 40% of the original battery capacity, an alarm for an aged battery is given. Alarm is also given on potential-free relay switching/Sum-alarm.

13.10. Technology facts alarm: Inverter test

Every week the unit is tested with internal load. If the unit's inverter does not provide sufficient output voltage, an alarm is given. Alarm is also given on potential-free relay switching.

14. SIN

14.1. SIN - UPS Product sheet / technical data



14.1.1. Technical specifications

These technical specifications are subject to change without notice.

14.1.2. SINUS UPS name, article number and e-number

Name	Article number	E-number
SINUS UPS 600W FLX M	FM01U0021FP006	52 136 63

14.1.3. Maximum rated power

Maximum rated power	Continuous effect
SIN 600W FLX M	600 W





14.1.4. ABOUT UPS

The UPS are designed with the latest switch technology and microprocessor monitoring, for maximum efficiency and reliability, providing long life for both electronics and batteries. UPS is well protected with isolation switch, battery circuit breaker, protection against overtemperature, overload, short circuit.

- Complete self-test including advanced battery test.

The units are installation and service friendly: - Compact volume. - Surface-mounted wall brackets are included for installation without having to open the electrical cabinet for quick installation. -

Modular. All electronics on cassette with jackable connections, for easy service or upgrade. NOTE! This translation is not verified and the information should always be cross-checked with the swedish original.

14.1.5. Fixed installation

The product is intended for fixed installation. The battery backup must be installed by a qualified installer.

14.2. Areas of use

SINUS UPS is mostly used for camera surveillance, PoE switches and other security systems. Sinus UPS is also used for gates and gate control of smaller and larger industrial and garage doors.

- Camera surveillance,
- PoE switches and other security systems.
- Gate and door control of smaller and larger industrial and garage doors.



THE PRODUCT IS NOT INTENDED FOR EMERGENCY LIGHTING CONTROL

Ignition phase is missing. Retrofitting of the ignition phase is not possible.

14.3. Regulations and certifications

14.3.1. Requirements that the product meets

EMC:	EMC Directive 2014 / 30EU
Electricity:	Low voltage directive: 2014/35 / EU EN 62368-1
CE:	CE directive according to: 765/2008
Emission:	EN61000-6-: 2001 EN55022: 1998: -A1: 2000, A2: 2003 Klass B, EN61000-3-2: 2001
Immunity:	EN61000-6-2:2005, EN61000-4-2, -3, 4, -5, -6, -11



14.4. Circuit boards - Technical data

14.4.1. Technical data: CEO 3

Info	Explanation
Article title	CEO3
Product description	CEO 3 is the next generation circuit board for simpler battery backups. Advanced functions that were not previously possible in simpler battery backups are now available as standard. CEO 3 is a reliable heart in simpler battery backups with fewer components than before, which reduces the environmental impact.
Measure	120 x 55 mm x 52 mm
Voltage form	1-phase sine
Fuses	See table: Fuses
Fuse on output	24 V
Outputs	Output: four load outputs 1-4 which are prioritized load outlets. (= always voltage).
Insurance	Load output: + secured.
Indication	Display showing operating status, alarms and faults. Operating indication: one indication diode per load output +/- . Solid green light = normal operation.

230 V VOLTAGE IN

Voltage	Explanation / comment
Voltage in:	230V -15%, + 20% in mains operation.
Mains power:	charger max 0.4A + load.

230 V OUTPUT VOLTAGE

Voltage OUT	Explanation / comment
Voltage out:	230 V - 10% in battery operation.
Voltage form:	Single-phase sine voltage.
Efficiency, approx:	90%
Idle power, approx:	10 W

BATTERY CHARGE

I / O according to DIN 41773 Current limitation.

PROTECTION

Type of protection	Explanation
Current limitation, electronic:	Type 300% of rated capacity.
Short-circuit protection:	Shutdown within 5 sec in case of heavy overload / short circuit according to UPS EN62040-1-1 standard. Automatic restart when mains voltage returns.
Depth discharge protection:	When the battery terminal voltage is less than 19 V.
Overcharge protection:	Disconnection of charging voltage during overcharging.
Automatic fuse:	Batteries are secured.





Type of protection	Explanation
Insulation switch:	When opening an electrical cabinet, the knob on the cabinet door must be set to "0", thus disconnecting the incoming phase and UPS emergency stops.
Optional: Ground fault circuit breaker:	Can be installed on output (extra protection option according to EN62040-1-1).

FUSES MINISINUS V8

On circuit boards	Fuse	Explanation
F1	T16A	Battery fuse

SELF-TEST

Type of self-test	Explanation
Battery charge	Continuous monitoring of battery chargers.
Battery aging	Automatic test loading of batteries under high, short-term discharge current to detect battery aging. The test compares measured battery capacity with programmed values to give an alarm when the battery has lost 20% - 40% capacity of new value and should be replaced.
Inverters	Test load of UPS (corresponding rated power over internal test load) to check function and sufficient output voltage.

ALARM

All alarms occur on potential-free relay switching.

Alarm type	Explanation
Power outage alarm	Alarm in case of network interruption adjustable time delay from direct to 10 h (3s, 3, 15, 30m, 1, 2, 4, 10h).
Sum Alarm, Self-Test:	Incorrect charging voltage (over- or under-voltage), aged battery that should be replaced or a malfunctioning inverter.

14.5. Technical data enclosures

14.5.1. Enclosures - Technical Data FLX M

Info	Explanation
Name	FLX M
Enclosure class	IP 32
Measure	Height: 224 mm, width 438 mm, depth 212 mm
Height units	5 HE
Mounting	Wall or 19 "rack
Ambient temperature	+ 5 ° C - + 40 ° C. For best battery life: + 15 ° C to + 25 ° C.
Environment	Environmental class 1, indoors. 20% ~ 90% relative humidity
Material	Powder coated sheet
Color	Black
Cable entries, number	4
Batteries that fit	2 pieces 12 V, 20 Ah.
Fan	Yes



14.6. Batteries - recommended, not included

14.6.1. Batteries are not included they are sold separately

Batteries are sold separately.

14.6.2. 20 Ah, 12 V AGM battery

Fits in	Number of batteries
SINUS 600W FLX M	2

Battery type	V	Ah
Maintenance-free AGM, lead-acid battery.	12 V	20 Ah

Table 6. 10+ Design life * battery

Article number	E-number	Article name	Terminal	Measure. Height width depth	Weight per piece	Make
MT113-12V20-01	5230538	UPLUS 12V 20Ah 10+ Design Life battery	M5 Bult	182x77x168 mm	6.0 kg	UPLUS

*Design life is the shelf life in years for an unused battery. Environmental factors such as heat and load affect the service life. Batteries that have a durability (+10 Design Life) of 10+ years usually need to be replaced after 5-6 years.

14.7. Link to the latest information

Products and software are subject to updates, you will always find the latest information on our website.

[Sinus UPS](#)

14.8. Warranty, support, country of manufacture and country of origin

14.8.1. Warranty

The product has a two-year warranty, from the date of purchase (unless otherwise agreed). Support during the warranty period can be reached at support@milleteknik.se or telephone, +46 31-34 00 230. Compensation for travel and / or working hours in connection with locating faults, installing repaired or replaced goods is not included in the warranty. Contact Milleteknik for more information. Milleteknik provides support during the product's lifetime, however, no later than 10 years after the date of purchase. Switching to an equivalent product may occur if Milleteknik deems that repair is not possible. Support costs may (at Milleteknik's discretion) occur after the warranty period has expired.

14.8.2. Support

Do you need help with installation or connections? Our support phone is available: Monday-Thursday 08: 00-16: 00 and Fridays 08: 00-15: 00. Telephone support is closed between 11: 30-13: 15.

You will find answers to many questions at: www.milleteknik.se/support

Phone: +46 31-340 02 30





Support is open: Monday-Thursday 08:00-16:00, Fridays 08:00-15:00. Closed 11:30-13:15.

SPARE PARTS

Contacted support for questions about spare parts.

SUPPORT AFTER THE WARRANTY PERIOD

Milleteknik provides support during the life of the product, but no longer than 10 years after the date of purchase. Replacement for an equivalent product may occur if the manufacturer deems that repair is not possible. Costs for support and replacement are added after the warranty period has expired.

QUESTIONS ABOUT PRODUCT PERFORMANCE?

Contact sales: 46 31-340 02 30, e-mail: sales@milleteknik.se

14.8.3. Contact us

Milleteknik AB

Ögärdesvägen 8 B

S-433 30 Partille

Sweden

+46 31-34 00 230

www.milleteknik.se

14.8.4. Country of manufacture

Country of manufacture / country of origin is Sweden. For more information, contact your seller.

14.8.5. Designed and produced by: Milleteknik AB

Designed and produced by Milleteknik AB

15. ADDRESS AND CONTACT DETAILS

Milleteknik AB

Ögärdesvägen 8 B

S-433 30 Partille

+46 31 340 02 30

www.milleteknik.com

This page is intentionally left blank.

This page is intentionally left blank.

This page is intentionally left blank.